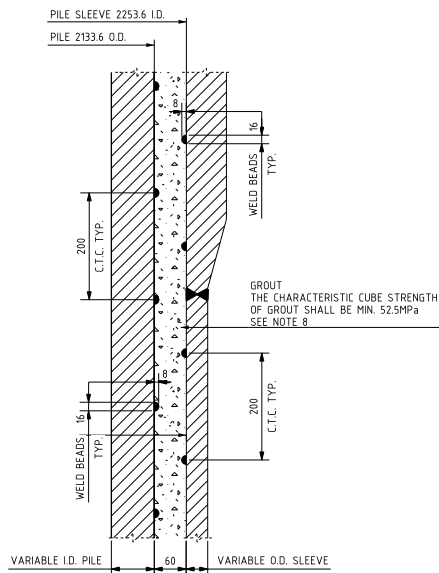
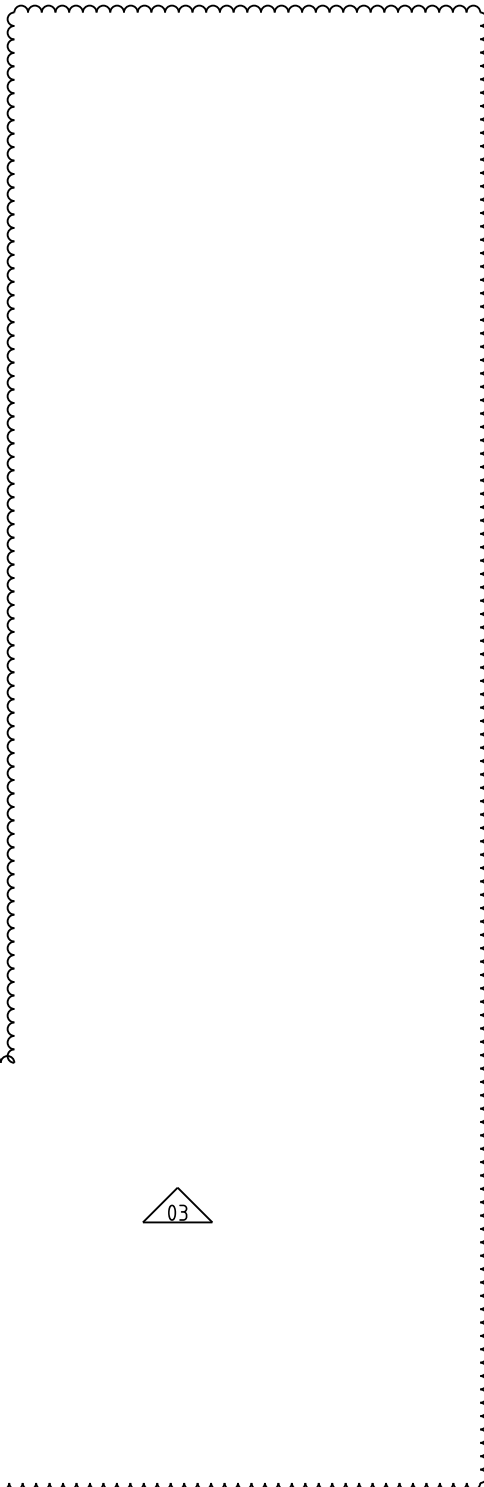
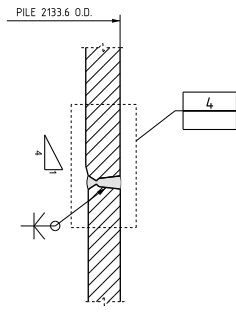


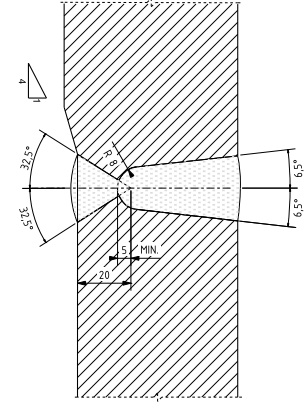
LAYOUT PILE A1, A2, A3, C1, C2, C3



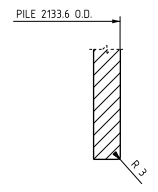
DETAIL 1 SCALE 1:5



DETAIL 2 SCALE 1:5



DETAIL 4 SCALE 1:1



DETAIL 3 SCALE 1:5

NOTES

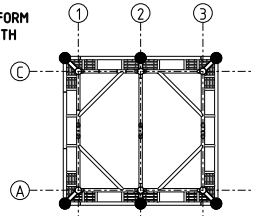
1. SEE FOR GENERAL NOTES SEE REF. [01] [02]
2. ALL STEEL TO BE TYPE-1 (U.N.O.)
3. HIGH / LOW FABRICATION TOLERANCE FOR PILES SHALL BE ±3 mm.
4. ALL CIRCUMFERENTIAL BUTTWELDS MADE FROM BOTH SIDES.
5. ALL WELDS SHALL BE PROVEN TO BE DEFECTS FREE BY NDE.
6. ALL THICKNESS TRANSITIONS TO BE INSIDE PILE WITH 1:4 SLOPE TYP.
7. THIS DRAWING IS SUBJECT TO REVIEW BY INSTALLATION CONTRACTOR.
8. THE MINIMUM CHARACTERISTIC CUBE STRENGTH OF GROUT SHALL BE 52.5 MPa ; MIN TENS. STRENGTH 5 MPa.
9. CIRCUMFERENTIAL & LONGITUDINAL WELD AT THE TOP OF THE PILE TO BE GROUND FLUSH IN & OUTSIDE IN LENGTH OF 3m.
10. TWO OPPOSITE VENTHOLES TO BE DRILLED. EDGES OF THE VENTHOLES TO BE GROUND TO A SMOOTH SURFACE. HOLES TO BE LOCATED MIN. 150 mm FROM ANY WELD.
11. WELD BEADS SHALL BE WELDED WITH A SMOOTH TRANSITION TO BASE METAL AND BETWEEN WELD PASSES.
12. ZERO MARK ON THE PILES CONSIDERING PILE RESTING ON MUDLINE AND NOT ON SCOUR PROTECTION.
13. FOR PILE MARKING SEE REF. [05]

REFERENCE DOCUMENTS

ID	Document No.	Title
[01]	170176-31-DR-3115-001	PLATFORM GENERAL NOTES
[02]	170176-31-DR-3115-002	PLATFORM GENERAL NOTES
[03]	170176-31-DR-3210-001	SUBSTRUCTURE PILE SLEEVES ROW 1&3
[04]	170176-31-DR-3210-003	SUBSTRUCTURE PILE SLEEVES ROW 2
[05]	170176-31-DR-3212-002	SUBSTRUCTURE PILES DETAILS



PLATFORM NORTH



KEY PLAN

170176-31-DR-3212-001

Rev.	Rev. Date	By	Purpose of issue	Checked by	Approved by
00	2017-08-22	NVE	FIRST ISSUE	ASA	WHO
01	2017-10-01	NVE	REVISED AS INDICATED	ASA	WHO
02	2017-12-01	NVE	ISSUED FOR CONSTRUCTION	ASA	WHO
03	2017-12-01	NVE	REVISED AS INDICATED	ASA	WHO

Drawn by: <b>iv-Oil &amp; Gas</b> Checked by: <b>BORSELE ALPHA</b> Project: <b>SUBSTRUCTURE JACKET PILES</b>	Document number: <b>170176-31-DR-3212-001</b> Revision: <b>03</b> Date of issue: <b>2017-12-01</b> Issued by: <b>ASA</b> Checked by: <b>ASA</b> Approved by: <b>ASA</b>
--	--